

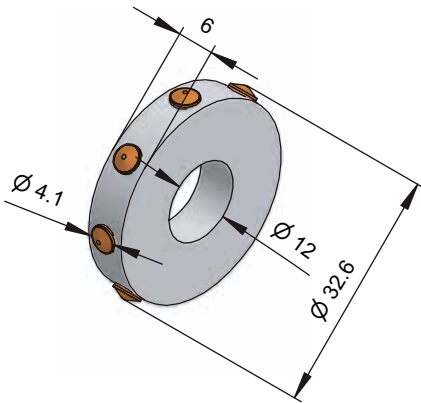
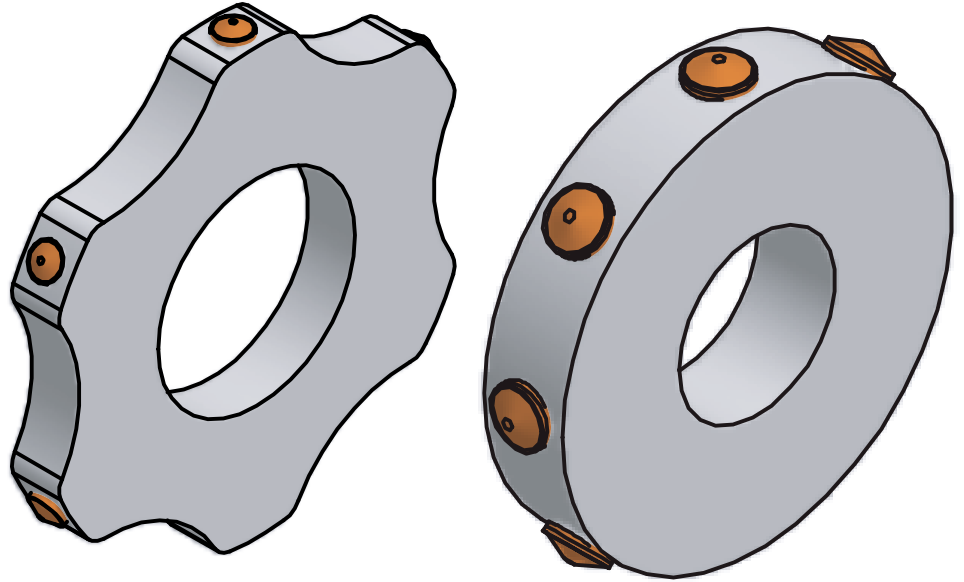


SITEK

CUTTERS

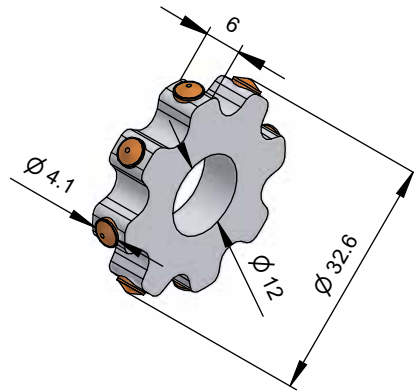
CUTTERS

► SCARIFIER MACHINES



- **CU 8P 32.6-6/12-6.5R**

Article No.	5010938
Carbide length	6.5

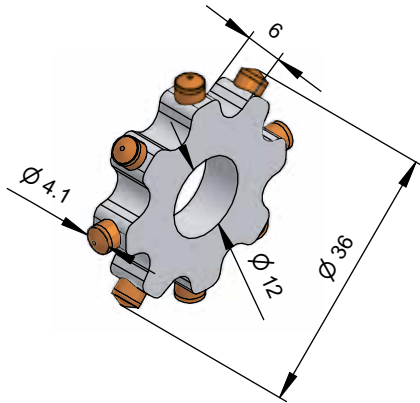


- **CU 8P 32.6-6/12-6.5**

Article No.	5012038
Carbide length	6.5

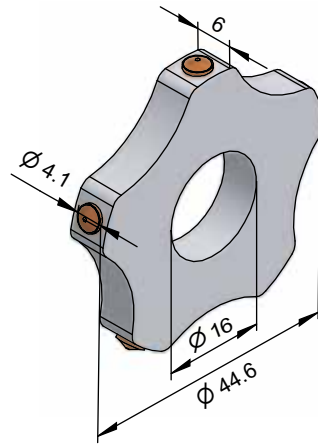
CUTTERS

► SCARIFIER MACHINES



- **CU 8P 36-6/12-8.3**

Article No.	5012037
Carbide length	8.3

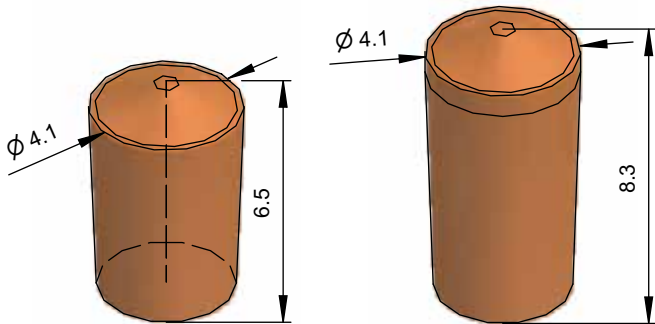


- **CU 5P 44.6-6/16-6.5**

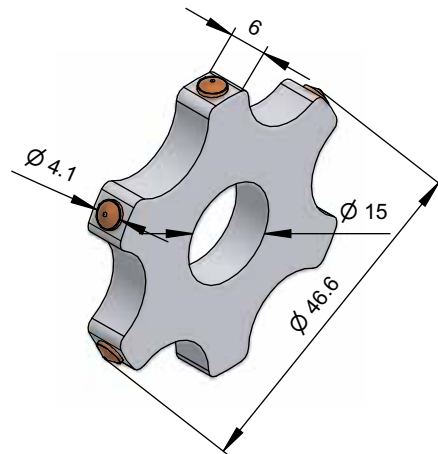
Article No.	5013095
Carbide length	6.5

- **CU 5P 44.6-6/16-8.3**

Article No.	5014837
Carbide length	8.3



- **Tungsten carbide**

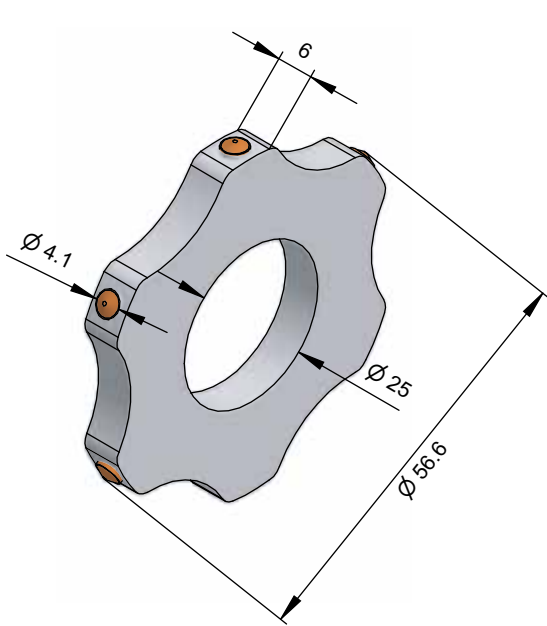


- **CU 6P 46.6-6/15-6.5**

Article No.	5010638
Carbide length	6.5

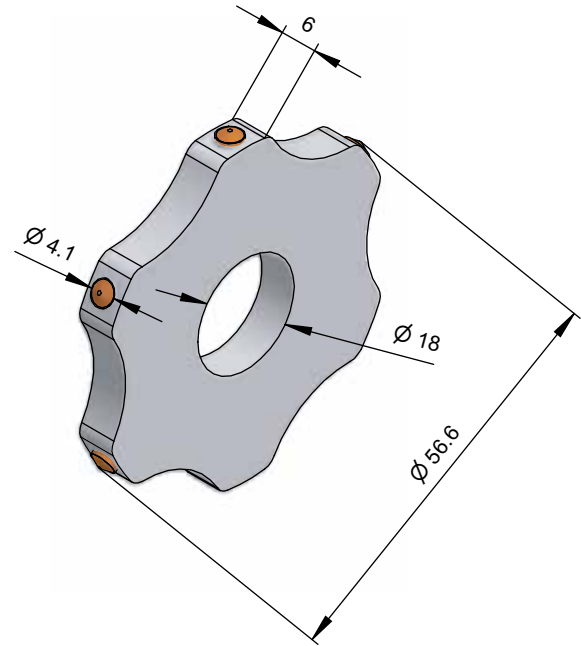
- **CU 6P 46.6-6/15-8.3**

Article No.	5010637
Carbide length	8.3



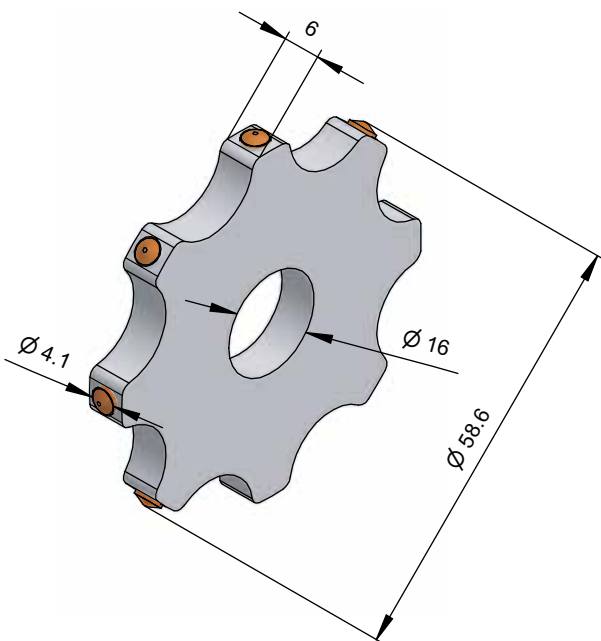
• **CU 6P 56.6-6/25-8.3**

Article No.	5010137
Carbide length	8.3



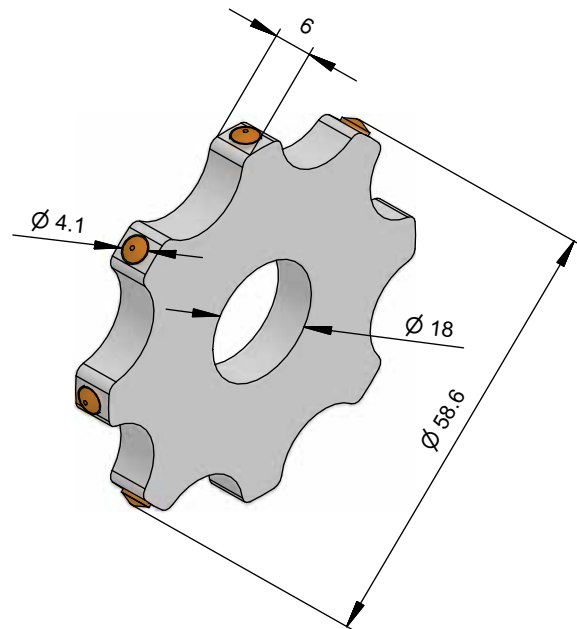
• **CU 6P 56.6-6/18-8.3**

Article No.	5010537
Carbide length	8.3



• **CU 8P 58.6-6/16-8.3**

Article No.	5014337
Carbide length	8.3

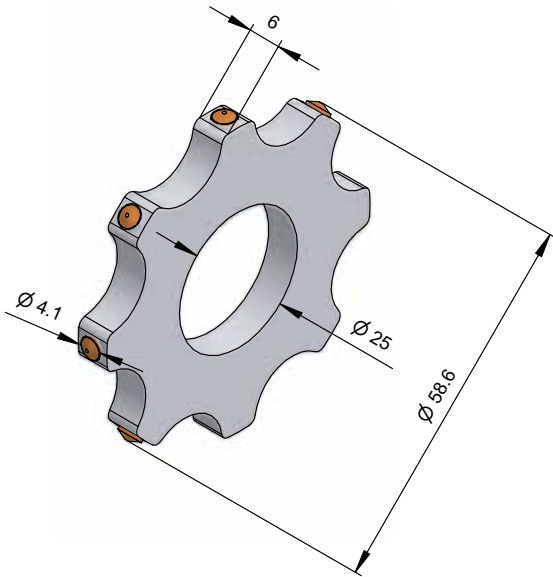


• **CU 8P 58.6-6/18-8.3**

Article No.	9070807
Carbide length	8.3

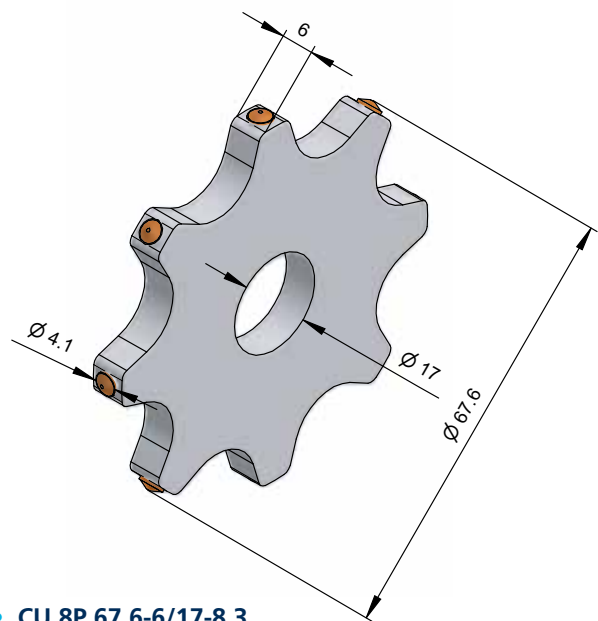
CUTTERS

► SCARIFIER MACHINES



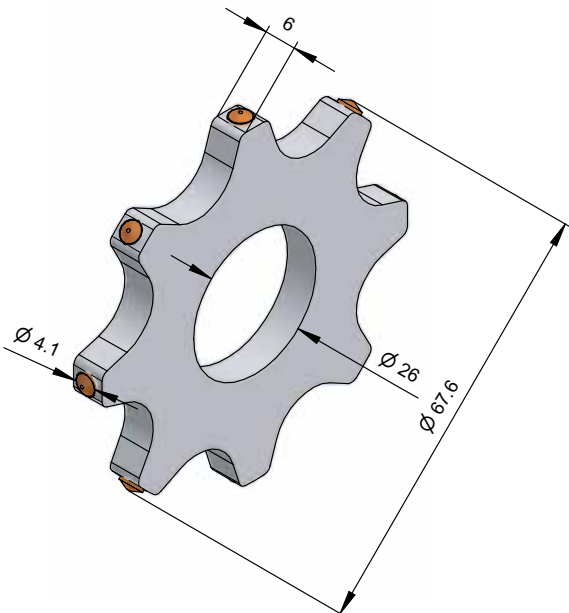
• **CU 8P 58.6-6/25-8.3**

Article No.	5010237
Carbide length	8.3



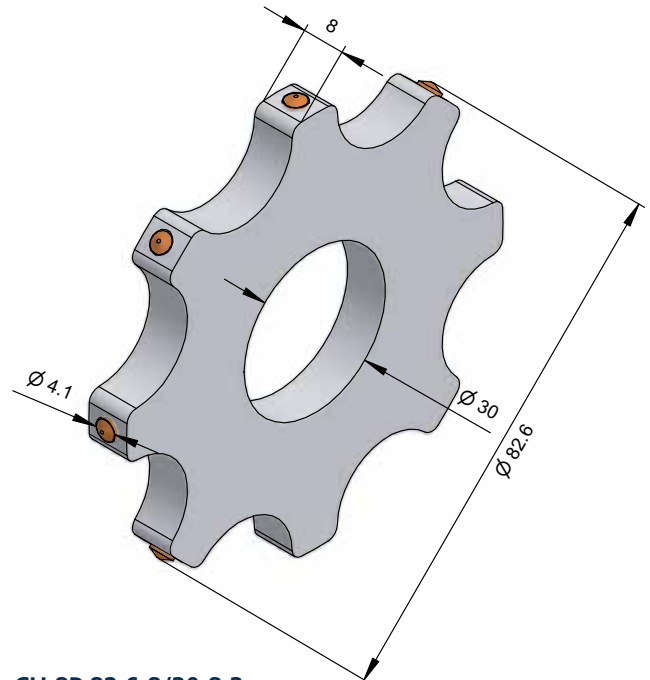
• **CU 8P 67.6-6/17-8.3**

Article No.	5010437
Carbide length	8.3



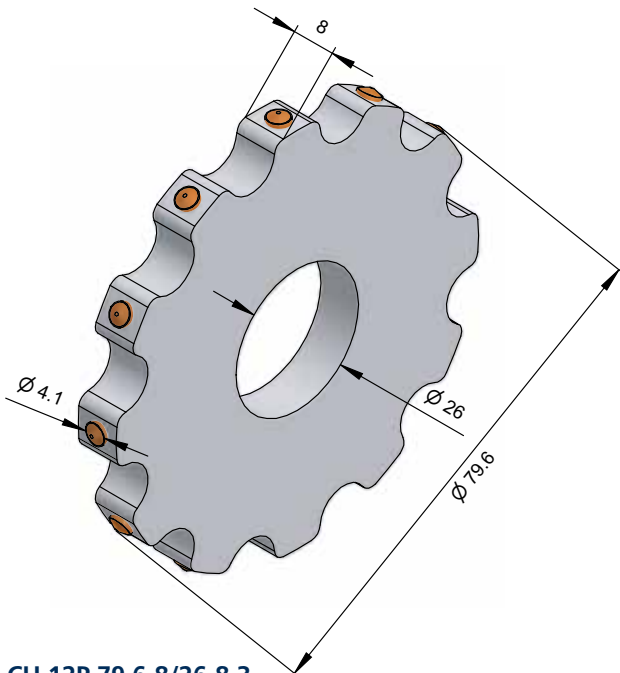
• **CU 8P 67.6-6/26-8.3**

Article No.	5014237
Carbide length	8.3



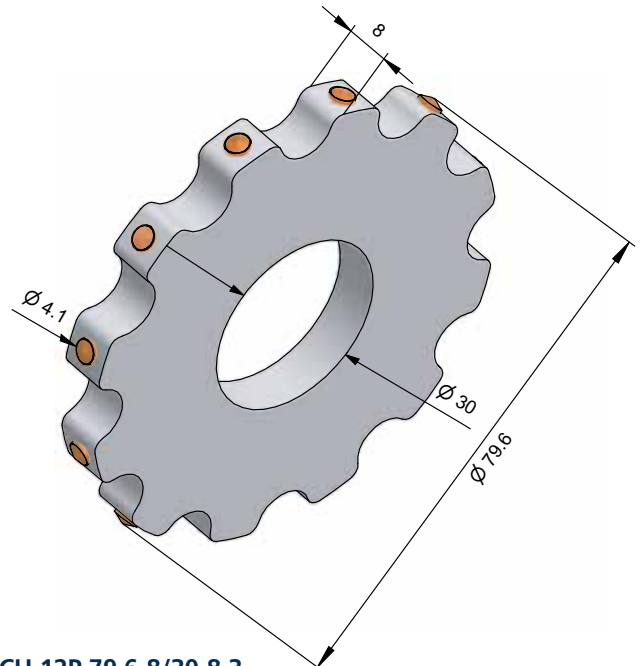
• **CU 8P 82.6-8/30-8.3**

Article No.	5010337
Carbide length	8.3



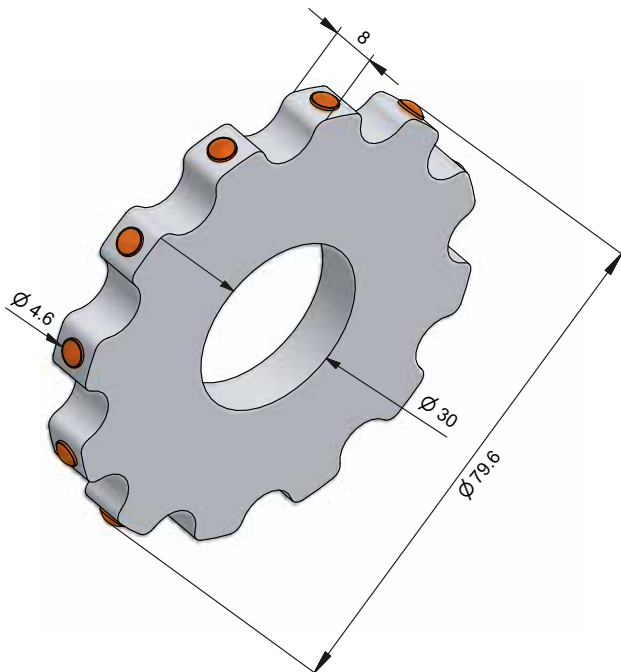
• **CU 12P 79.6-8/26-8.3**

Article No.	5011537
Carbide length	8.3



• **CU 12P 79.6-8/30-8.3**

Article No.	5010837
Carbide length	8.3



• **CU 12P 79.6-8/30-8.5 4.6**

Article No.	9000822
Carbide length	8.5

→ SITEK



SITEK's core competence is in type studs for winter tyres. They provide optimum grip on snow and ice.



Carbide tipped SITEK tools are used to roughen or scour concrete and asphalt surfaces.



SITEK threaded studs and carbide tips for horseshoes provide improved grip on roads, snow and ice

SITEK-Spikes GmbH & Co. KG
Sulgener Str. 21–23
D-78733 Aichhalden
Germany

Fon: +49 (0) 74 22 / 5 65-0
Fax: +49 (0) 74 22 / 5 65-124

info@sitek.de
www.sitek.de