

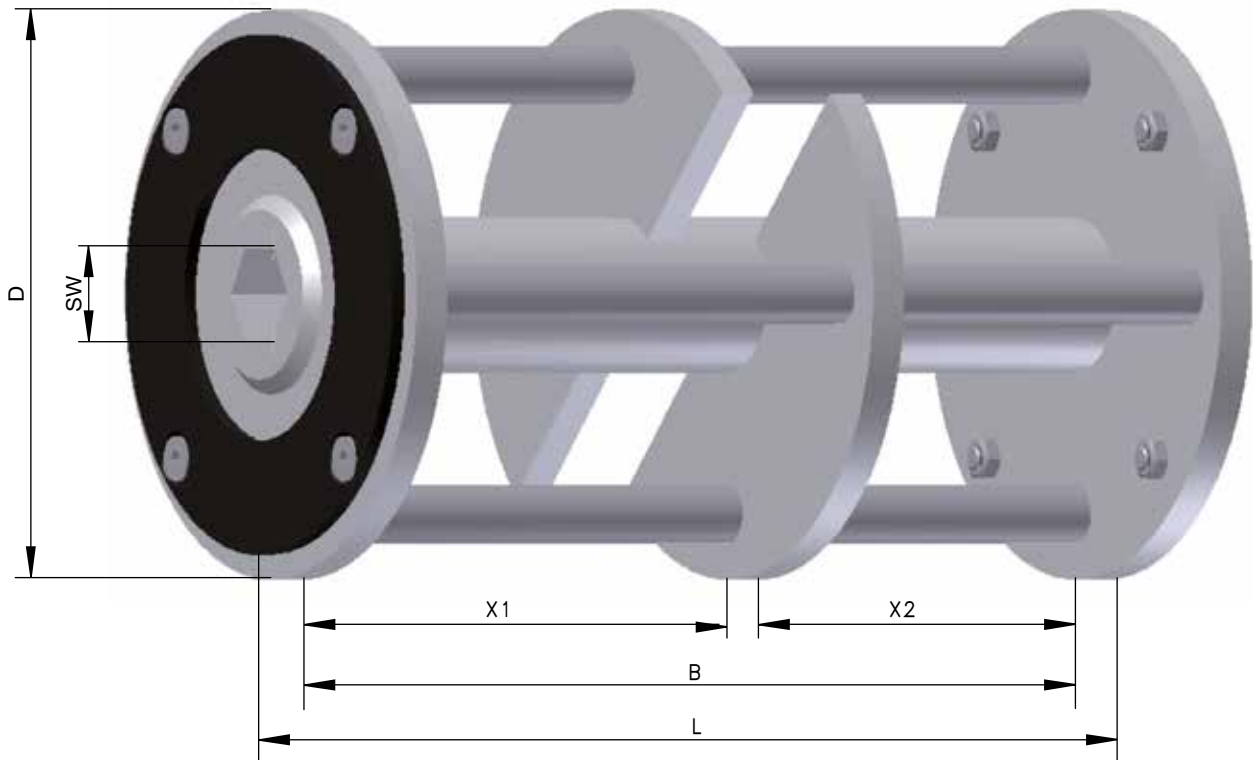


SITEK

DRUMS

DRUMS

► SCARIFIER MACHINES



	• DR RT320-5	• DR FR300-20	• DR VA25S	• DR FR200-12
Article No.	54 00 033	54 00 030	54 00 031	54 00 029
L	380	380	290	223
Ø D	220	210	160	117
SW	36	36	37	19.5
B	320	300	250	201
X1			70	110.5
X2			90	82.5
Ø d	22	20	12	12
n	5	4	6	4

→ SITEK



SITEK's core competence is in type studs for winter tyres. They provide optimum grip on snow and ice.



Carbide tipped SITEK tools are used to roughen or scour concrete and asphalt surfaces.



SITEK threaded studs and carbide tips for horseshoes provide improved grip on roads, snow and ice

SITEK-Spikes GmbH & Co. KG
Sulgener Str. 21–23
D-78733 Aichhalden
Germany

Fon: +49 (0) 74 22 / 5 65-0
Fax: +49 (0) 74 22 / 5 65-124

info@sitek.de
www.sitek.de