

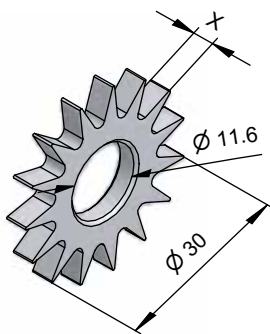
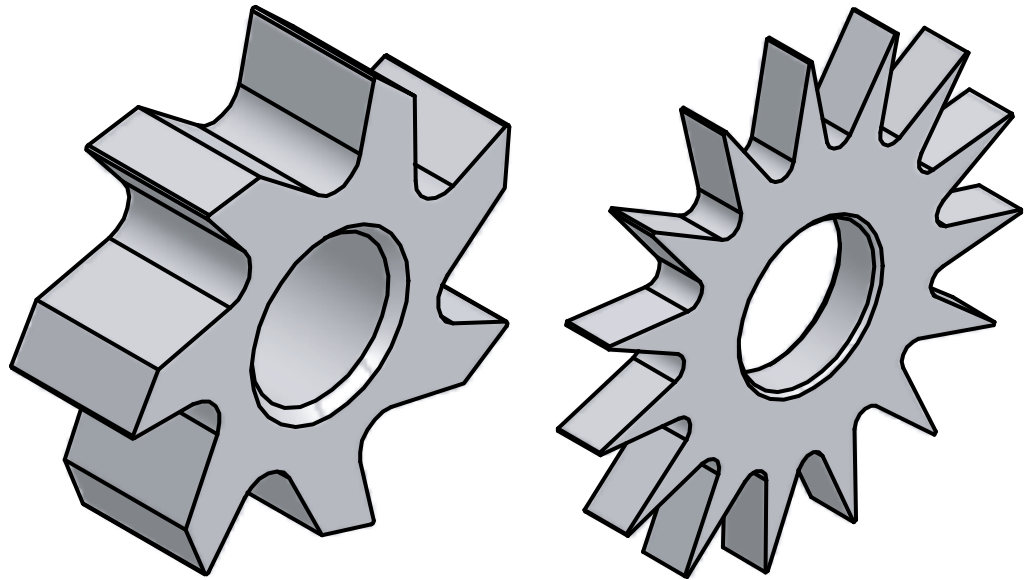
SITEK

FULL CARBIDE CUTTERS



FULL CARBIDE CUTTERS

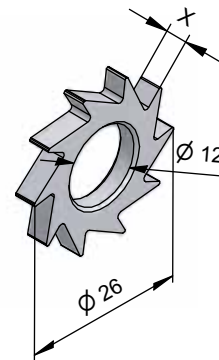
► GRINDING MACHINES / SCARIFIER MACHINES



• **FC 15P 30-X/11.6**

Article No.	5400010	5400013
X Thickness	3.5	2.5

Article No.	5400110	5400055
X Thickness	4.2	5.5

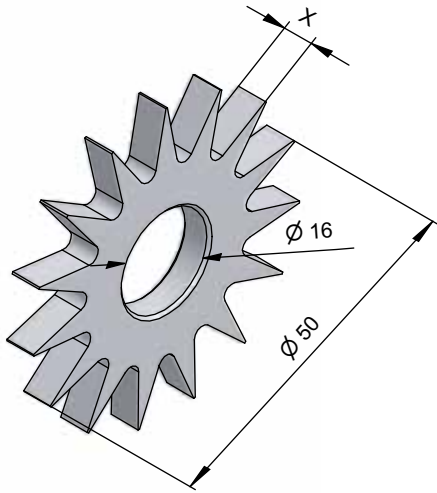


• **FC 10P 26-3.5/12**

Article No.	5400009
X Thickness	3.5

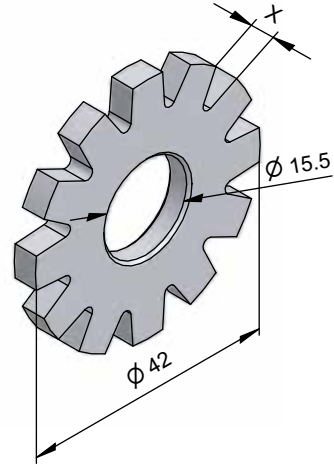
FULL CARBIDE CUTTERS

► GRINDING MACHINES / SCARIFIER MACHINES



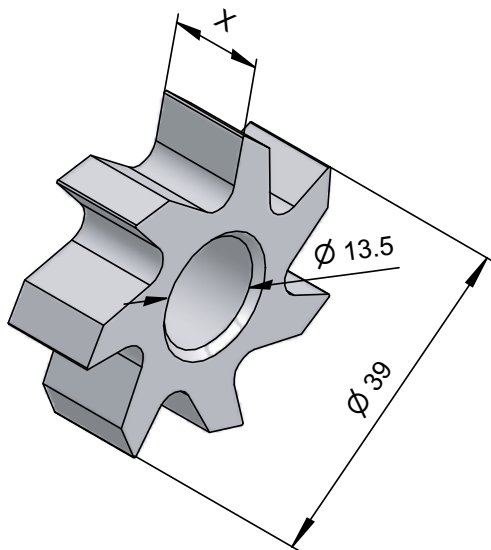
• **FC 15P 50-5/16**

Article No.	5001207
X Thickness	5.0



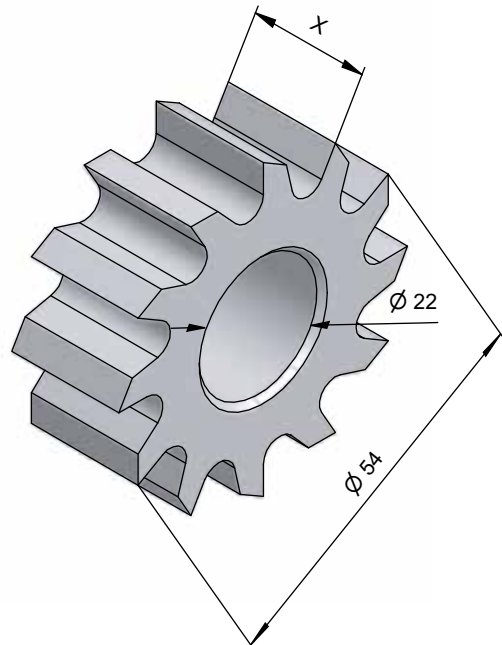
• **FC 12P 42-4/15.5**

Article No.	5400015
X Thickness	4.0



• **FC 7P 39-12/13.5**

Article No.	5400012
X Thickness	12.0



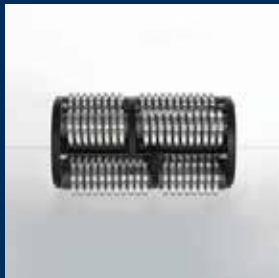
• **FC 12P 54-20/22 BO 30**

Article No.	5400112
X Thickness	22

→ SITEK



SITEK's core competence is in type studs for winter tyres. They provide optimum grip on snow and ice.



Carbide tipped SITEK tools are used to roughen or scour concrete and asphalt surfaces.



SITEK threaded studs and carbide tips for horseshoes provide improved grip on roads, snow and ice

SITEK-Spikes GmbH & Co. KG
Sulgener Str. 21–23
D-78733 Aichhalden
Germany

Fon: +49 (0) 74 22 / 5 65-0
Fax: +49 (0) 74 22 / 5 65-124

info@sitek.de
www.sitek.de